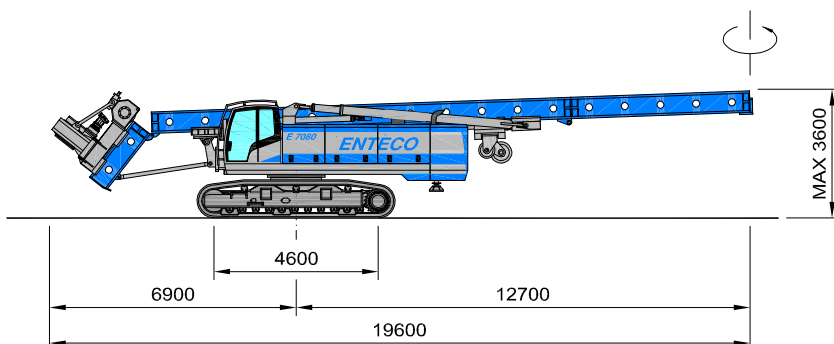
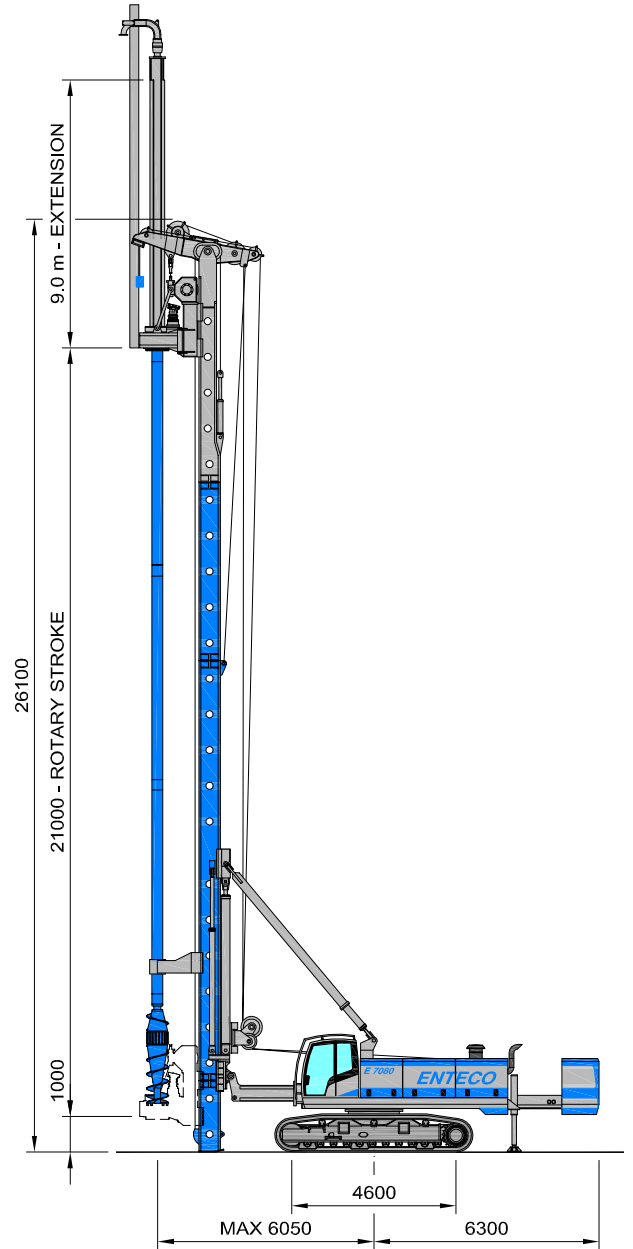
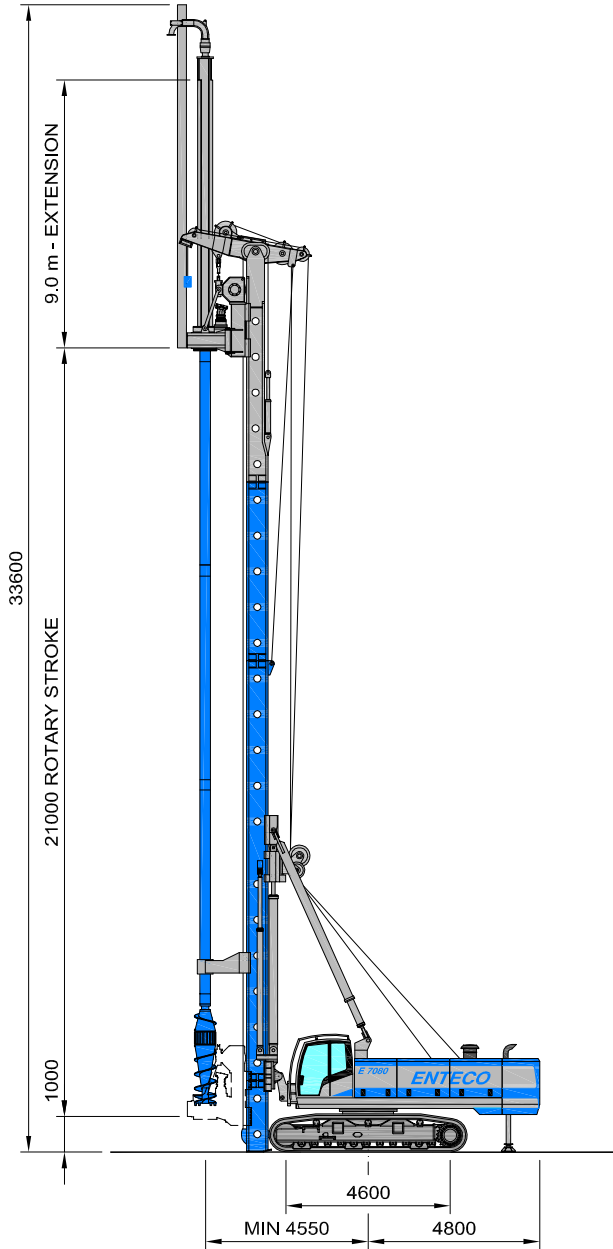


# E 7080

SP300

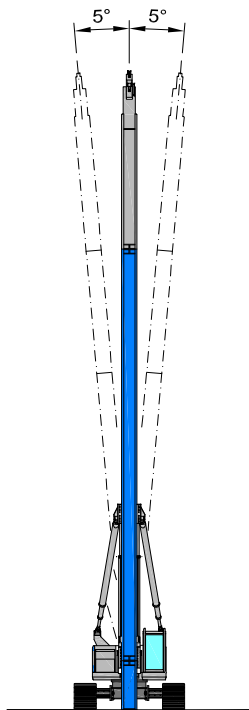
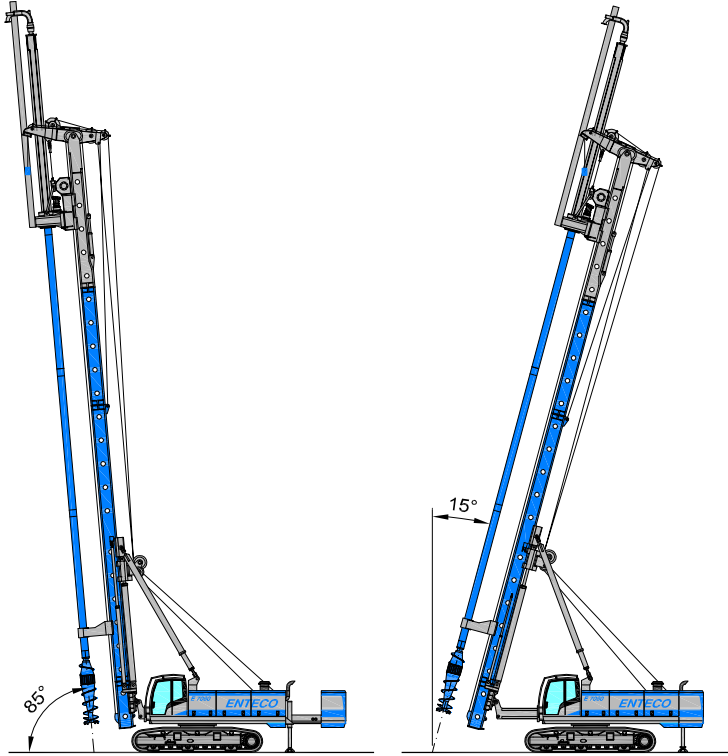
SOIL DISPLACEMENT KIT



# E 7080

## SP300

### SOIL DISPLACEMENT KIT



#### E 7080 - SP300 SOIL DISPLACEMENT KIT

<b>OPERATING WEIGHT</b>	ton	up to 90
Drilling diameter	mm	320+800
Max drilling depth	m	36

#### MAST

Mast vertical travel	mm	3000
Mast forward stroke	mm	1500

#### CROWD SYSTEM

#### WINCH

Rotary stroke	mm	21000
Crowd force	kN	300
Extraction force	kN	840

#### ROTARY

Model	ENTECO RH51/2	
Max torque	kNm	300
Max drilling speed	rpm	33
Kelly extension	m	6, 9, 12, 15

#### E 7080 - BASE MACHINE

#### CRAWLERS

Overall width	mm	3000+4500
Track pads	mm	900
Tramming speed	km/h	1.8

#### DIESEL ENGINE

Model	CATERPILLAR	C13 ACERT	C15 ACERT
Rated power	HP/kW	440/328	540/403
Fuel tank capacity	litres	750	

#### MAIN WINCH

Max line-pull 1st layer	kN	270
Free-fall device	option	

#### AUXILIARY WINCH

Max line-pull 1st layer	kN	150
Free-fall device	option	

#### COUNTERWEIGHT

Total weight	kg	12000
Counterweight stroke	mm	1500



Via dell'Artigianato, 33 - Z.I. - 30020 Fossalta di Piave - VENEZIA - ITALIA  
 Tel +39 0421 67.99.77 - Fax +39 0421 67.99.93 - e-mail: info@entecodrill.com - www.entecodrill.com