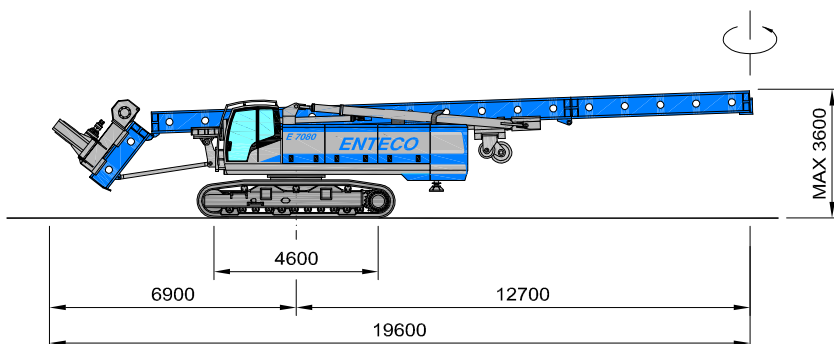
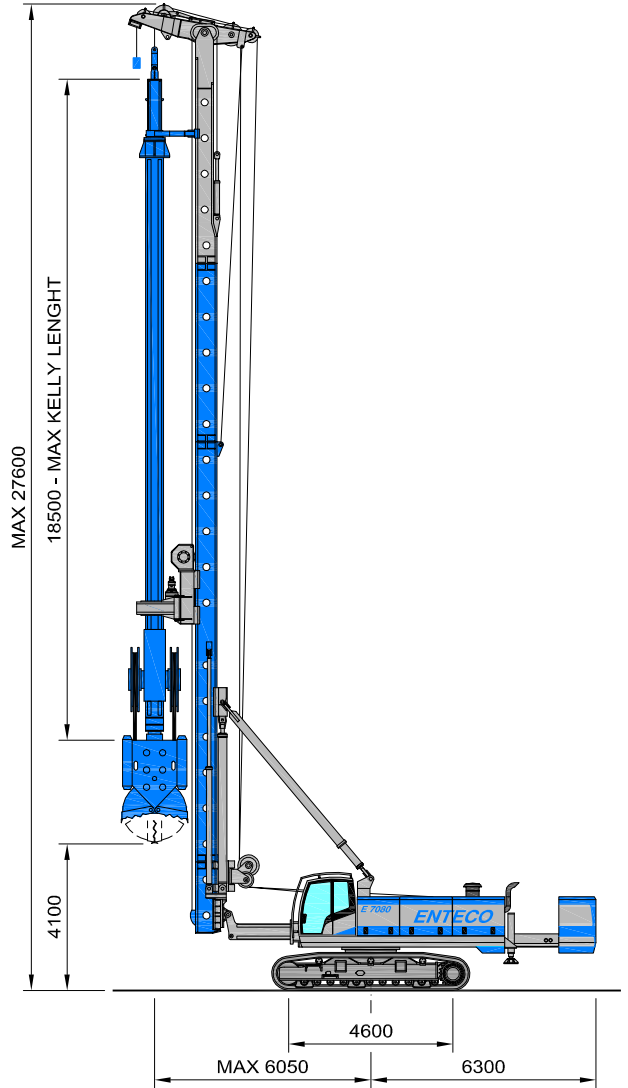
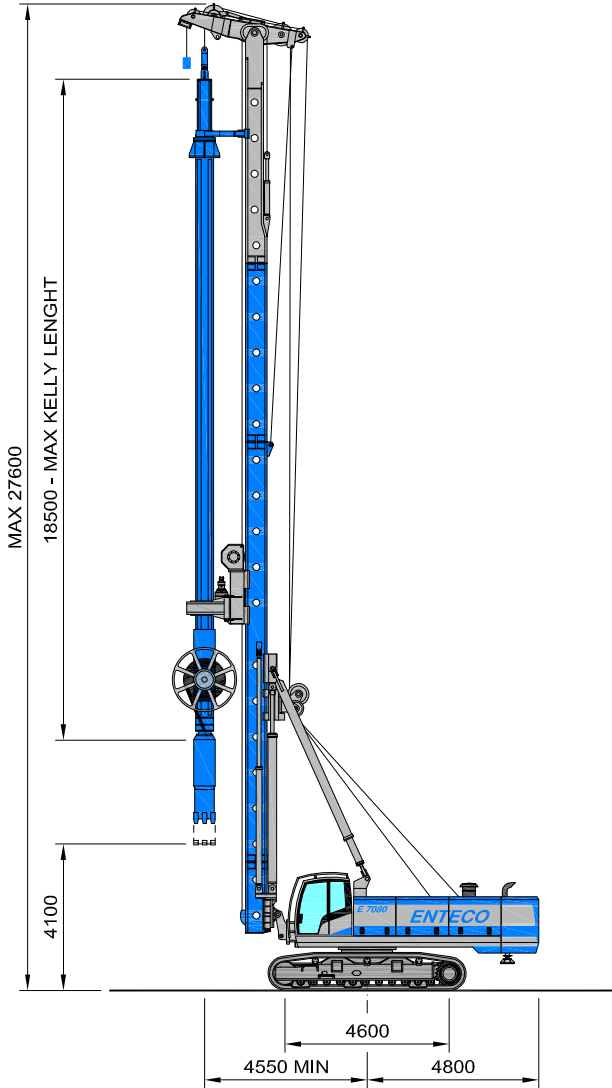


E 7080

HGT50

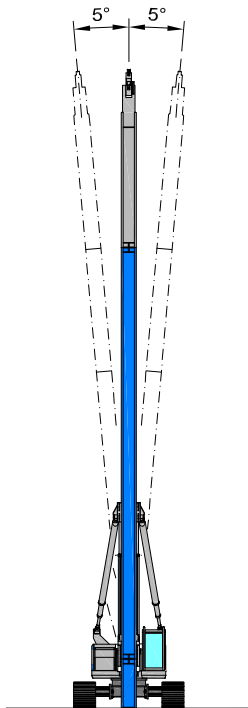
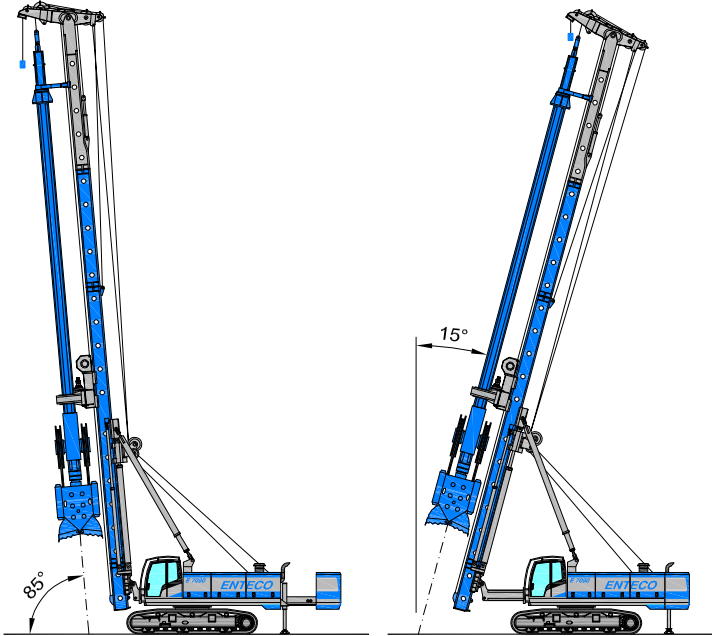
DIAPHRAGM WALL KIT



E 7080

HGT50

DIAPHRAGM WALL KIT



E 7080 - HGT50 DIAPHRAGM WALL KIT

OPERATING WEIGHT	ton	up to 90
Max depth	m	50

HYDRAULIC GRAB

Model	ENTECO HG5	
Width of trench	mm	500+1500
Length of trench	mm	2200+3200

TELESCOPIC KELLY

Type - elements/length	3x12	3x15	3x18	
Max depth	m	32	41	50
Interlocking 1st element	option	option	option	
Kelly rotation	270°			

E 7080 - BASE MACHINE

CRAWLERS

Overall width	mm	3000+4500
Track pads	mm	900
Tramming speed	km/h	1.8

DIESEL ENGINE

Model	CATERPILLAR	C9 ACERT	C13 ACERT
Max power	HP/kW	350/261	440/328
Fuel tank capacity	litres	750	

MAIN WINCH

Max line-pull 1st layer	kN	270
Free-fall device	installed	

AUXILIARY WINCH

Max line-pull 1st layer	kN	150
Free-fall device	option	

COUNTERWEIGHT

Total weight	kg	12000
Counterweight stroke	mm	1500



Via dell'Artigianato, 33 - Z.I. - 30020 Fossalta di Piave - VENEZIA - ITALIA
 Tel +39 0421 67.99.77 - Fax +39 0421 67.99.93 - e-mail: info@entecodrill.com - www.entecodrill.com