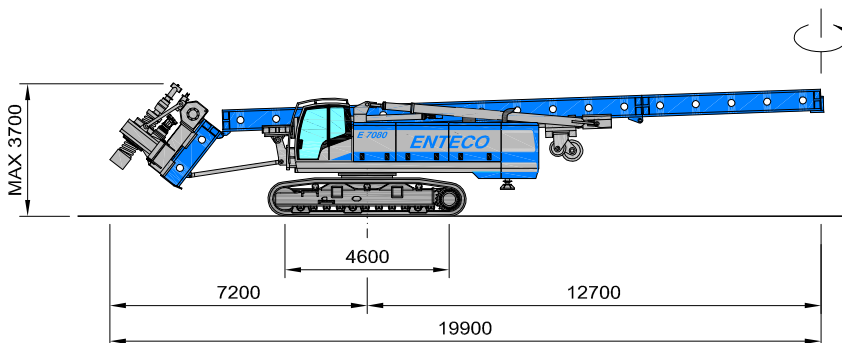
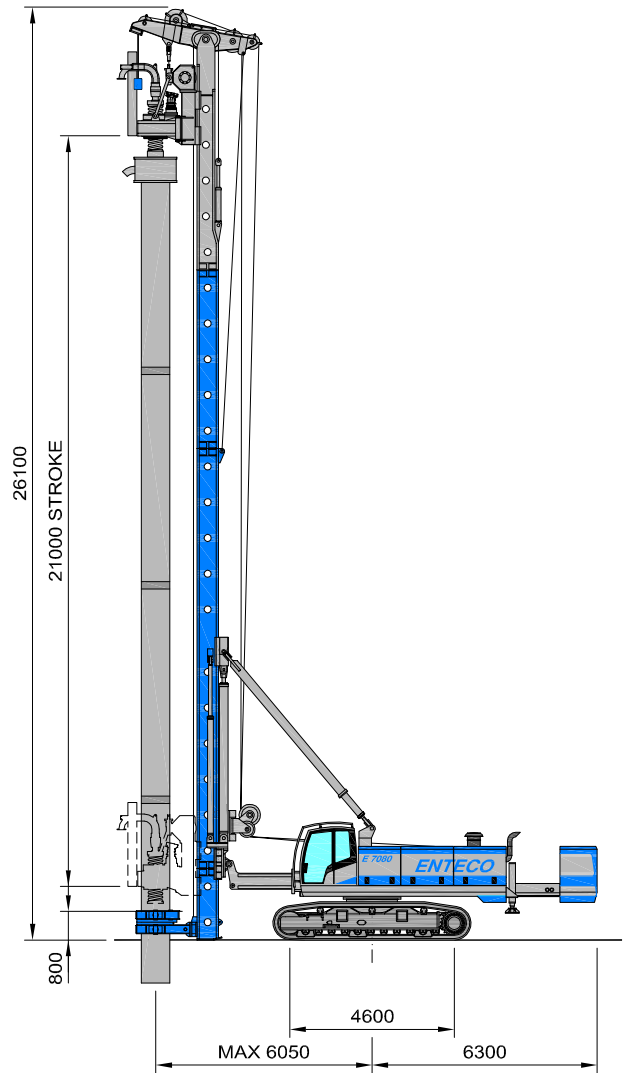
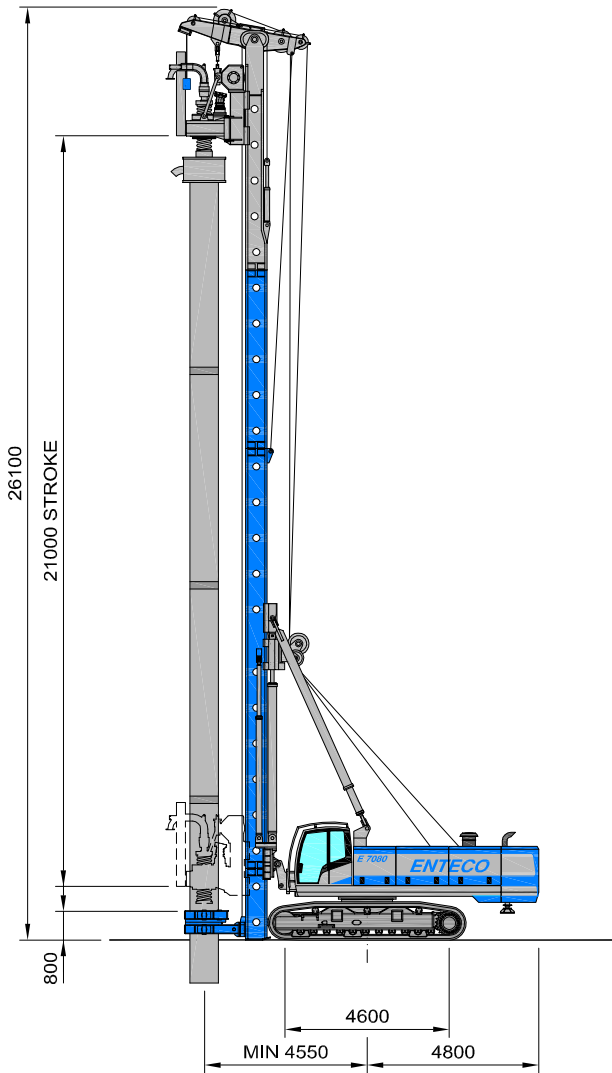


E 7080

DTH300

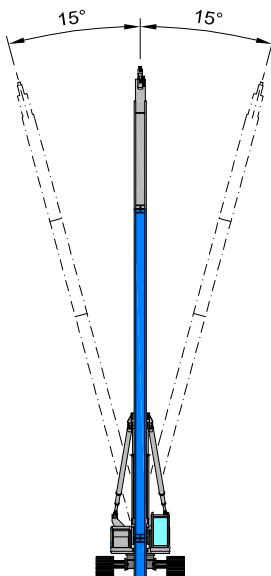
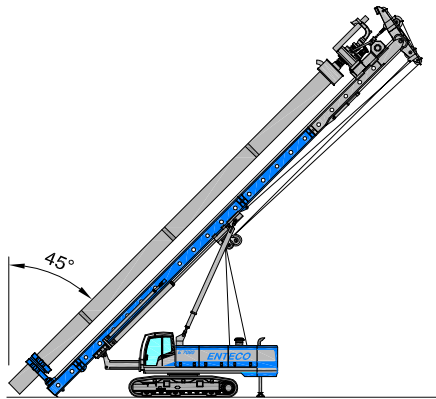
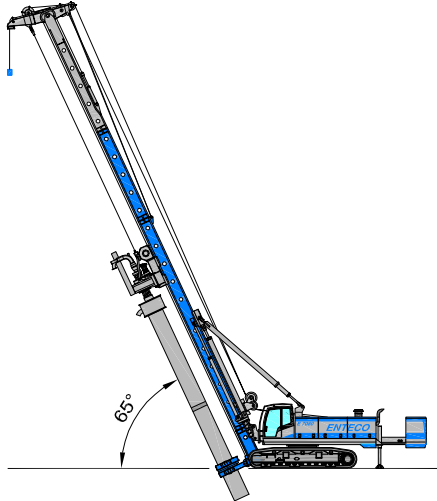
LARGE DIA DTH KIT



E 7080

DTH300

LARGE DIA DTH KIT



E 7080 - DTH300 LARGE DIA DHT KIT

OPERATING WEIGHT	ton	up to 94
Drilling diameter	mm	400+1200
Max drilling depth	m	21

MAST

Standard mast length	mm	25350
Mast vertical travel	mm	3000
Mast forward stroke	mm	1500

CROWD SYSTEM

Rotary stroke	mm	21000
Crowd force	kNm	300
Extraction force	kNm	840

ROTARY

Model		ENTECO RH51/2
Max torque	kNm	300
Max drilling speed	rpm	33

E 7080 - BASE MACHINE

CRAWLERS

Overall width	mm	3000+4500
Track pads	mm	900
Crawler drive speed	km/h	1.8

DIESEL ENGINE

Model	CATERPILLAR	C13 ACERT	C15 ACERT
Max power	HP/kW	440/328	540/403
Fuel tank capacity	litres		750

MAIN WINCH

Max line-pull 1st layer	kN	270
Free fall device		option

AUXILIARY WINCH

Max line-pull 1st layer	kN	150
Free fall device		option

COUNTERWEIGHT

Total weight	kg	12000
Counterweight stroke	mm	1500

