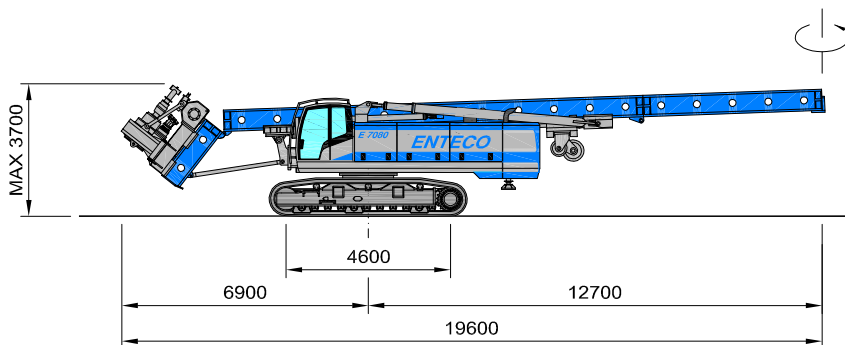
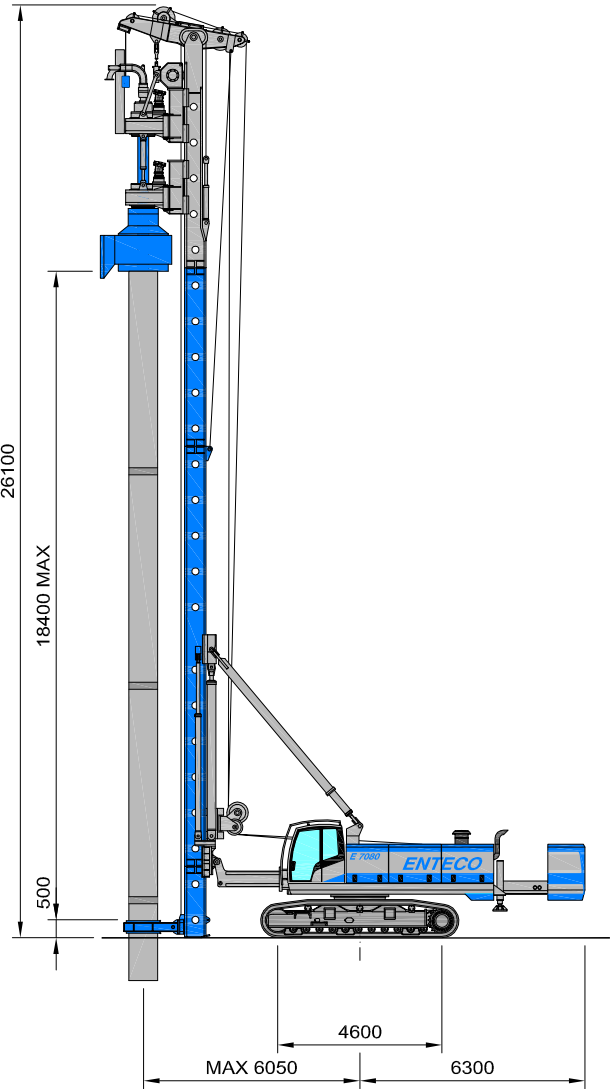
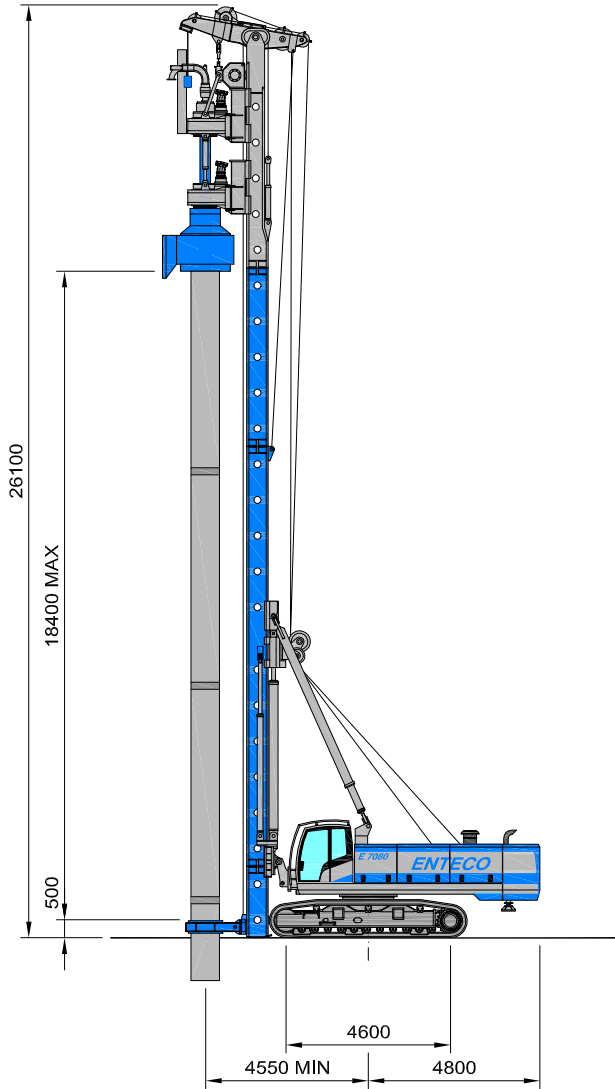


E 7080

DR300

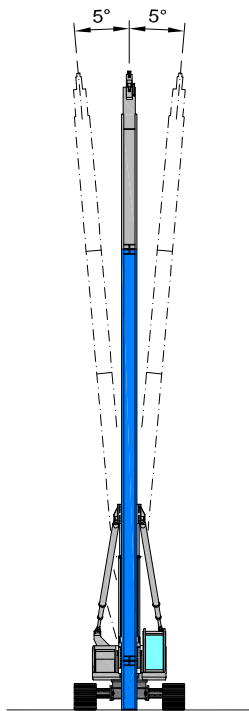
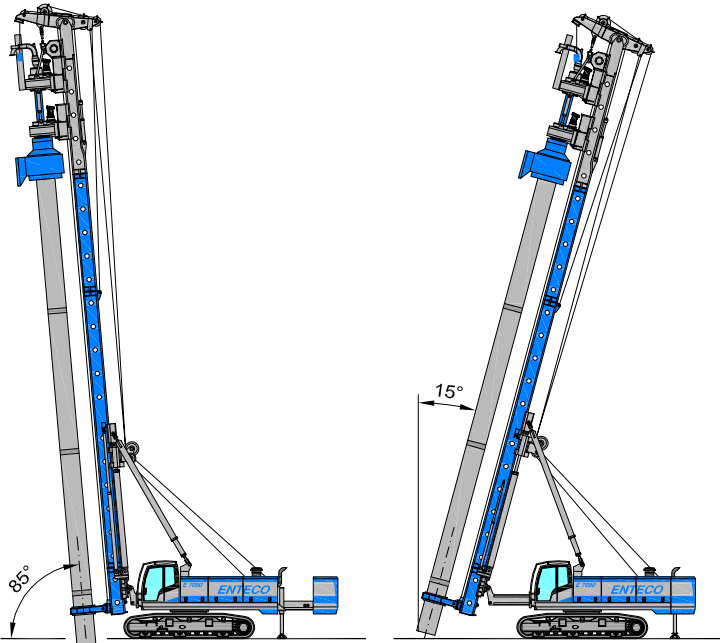
DOUBLE ROTARY KIT



E 7080

DR300

DOUBLE ROTARY KIT



E 7080 - DR300 DOUBLE ROTARY KIT

OPERATING WEIGHT	ton	up to 94
Drilling diameter	mm	500+1000
Max cased depth	m	19
MAST		
Standard mast length	mm	25350
Mast vertical travel	mm	3000
Mast forward stroke	mm	1500
CROWD SYSTEM		
Rotary stroke	mm	18400
Crowd force	kN	300
Extraction force	kN	840
ROTARY FOR AUGER		
Model		ENTECO RH51/2
Max torque	kNm	300
Max drilling speed	rpm	33
ROTARY FOR CASING		
Model		ENTECO RH61/2
Max torque	kNm	360
Max drilling speed	rpm	21

E 7080 - BASE MACHINE

CRAWLERS		
Overall width	mm	3000+4500
Track pads	mm	900
Crawler drive speed	km/h	1.8
DIESEL ENGINE		
Model	CATERPILLAR	C15 ACERT
Max power	HP/kW	540/403
Fuel tank capacity	litres	750
MAIN WINCH		
Max line-pull 1st layer	kN	270
AUXILIARY WINCH		
Max line-pull 1st layer	kN	150
COUNTERWEIGHT		
Total weight	kg	12000
Counterweight stroke	mm	1500



Via dell'Artigianato, 33 - Z.I. - 30020 Fossalta di Piave - VENEZIA - ITALIA
 Tel +39 0421 67.99.77 - Fax +39 0421 67.99.93 - e-mail: info@entecodrill.com - www.entecodrill.com

E7080 - DR300 1080-035 20120228