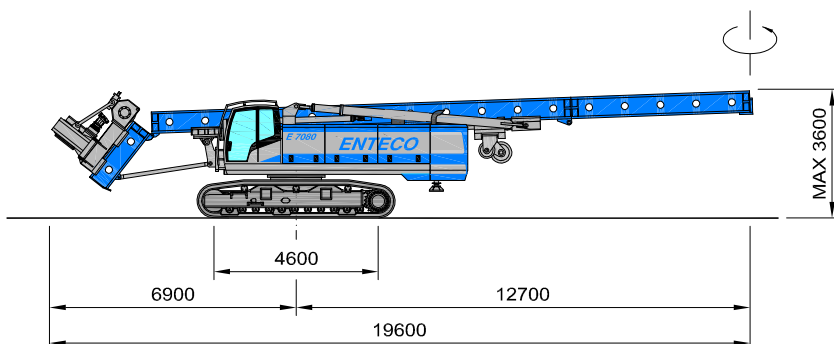
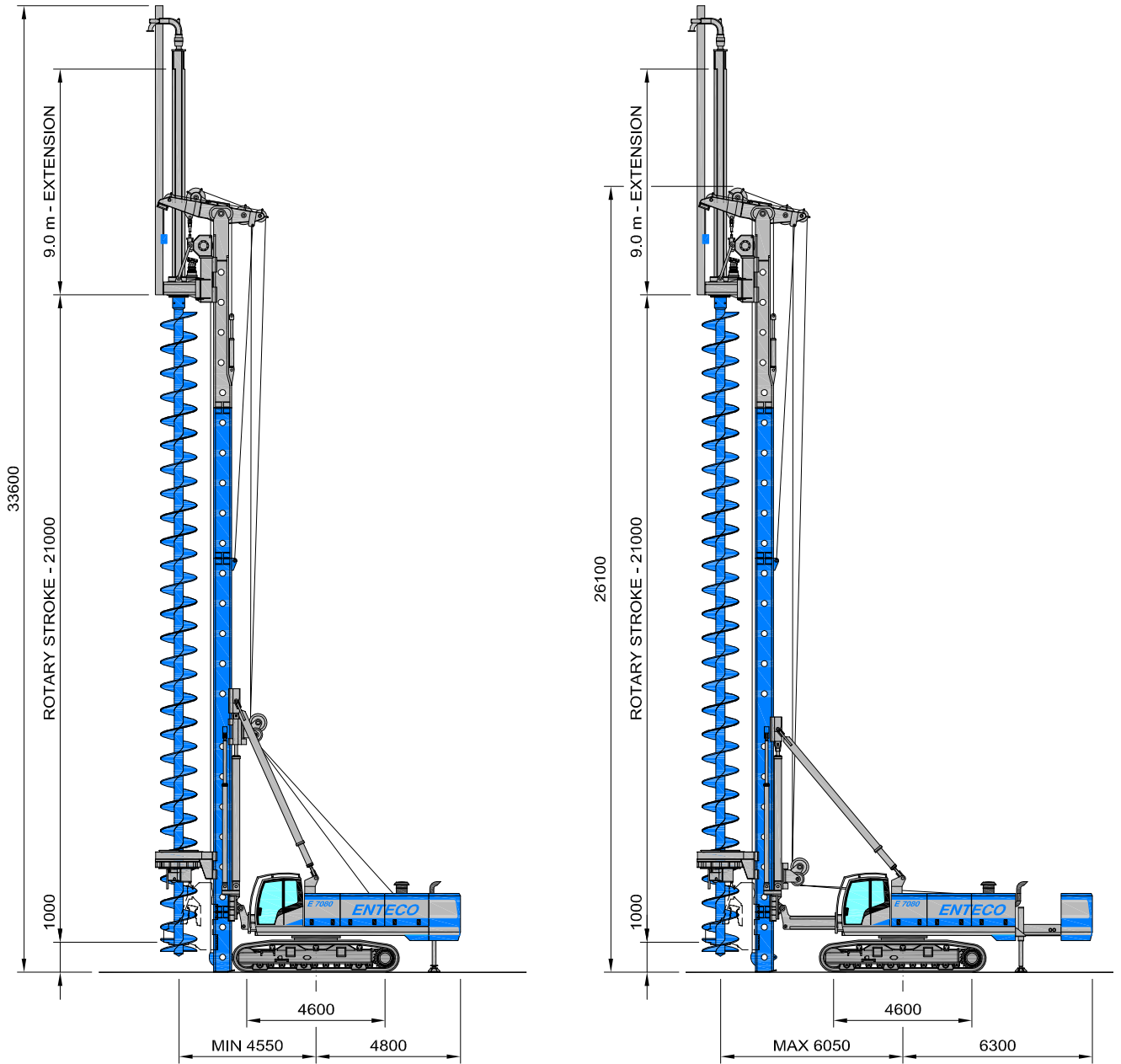


E 7080

CFA300

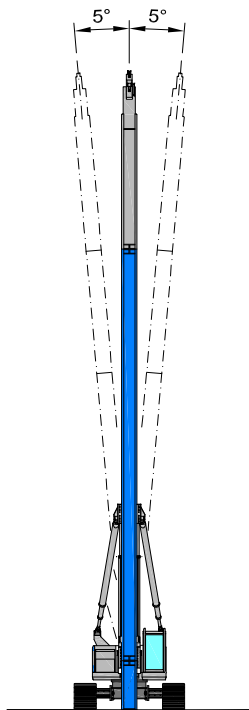
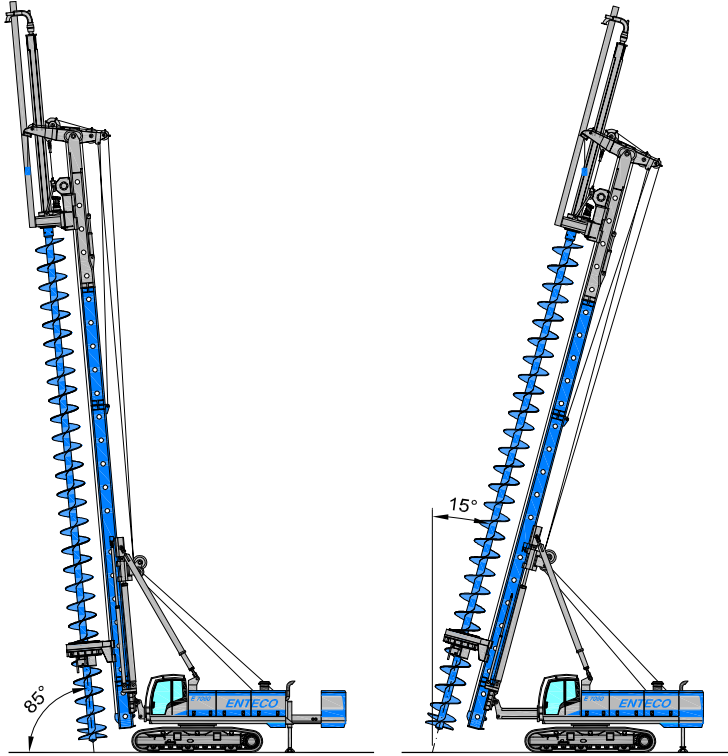
CONTINUOUS FLIGHT AUGER KIT



E 7080

CFA300

CONTINUOUS FLIGHT AUGER KIT



E 7080 - CFA300 CONTINUOUS FLIGHT AUGER KIT

OPERATING WEIGHT ton up to 90

Drilling diameter mm 500÷1200

Max drilling depth m 30

MAST

Mast vertical travel mm 3000

Mast forward stroke mm 1500

CROWD SYSTEM

Rotary stroke mm 21000

Crowd force kN 300

Extraction force kN 840

ROTARY

Model ENTECO RH51/2

Max torque kNm 300

Max drilling speed rpm 33

Kelly extension m 3, 6, 9

E 7080 - BASE MACHINE

CRAWLERS

Overall width mm 3000÷4500

Track pads mm 900

Crawler drive speed km/h 1.8

DIESEL ENGINE

Model CATERPILLAR C13 ACERT C15 ACERT

Max power HP/KW 440/328 540/403

Fuel tank capacity litres 750

MAIN WINCH

Max line-pull 1st layer kN 270

Free-fall device option

AUXILIARY WINCH

Max line-pull 1st layer kN 150

Free-fall device option

COUNTERWEIGHT

Total weight kg 12000

Counterweight stroke mm 1500



Via dell'Artigianato, 33 - Z.I. - 30020 Fossalta di Piave - VENEZIA - ITALIA
Tel +39 0421 67.99.77 - Fax +39 0421 67.99.93 - e-mail: info@entecodrill.com - www.entecodrill.com