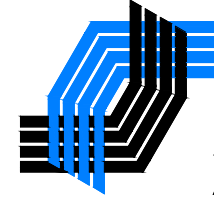


E 7060

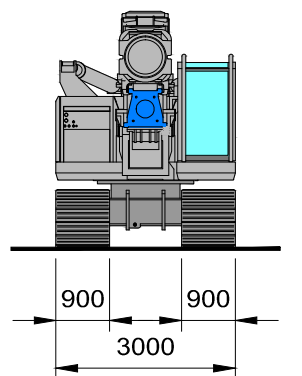
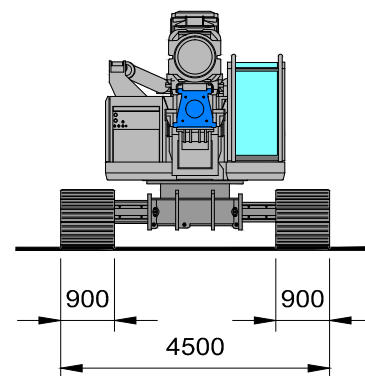
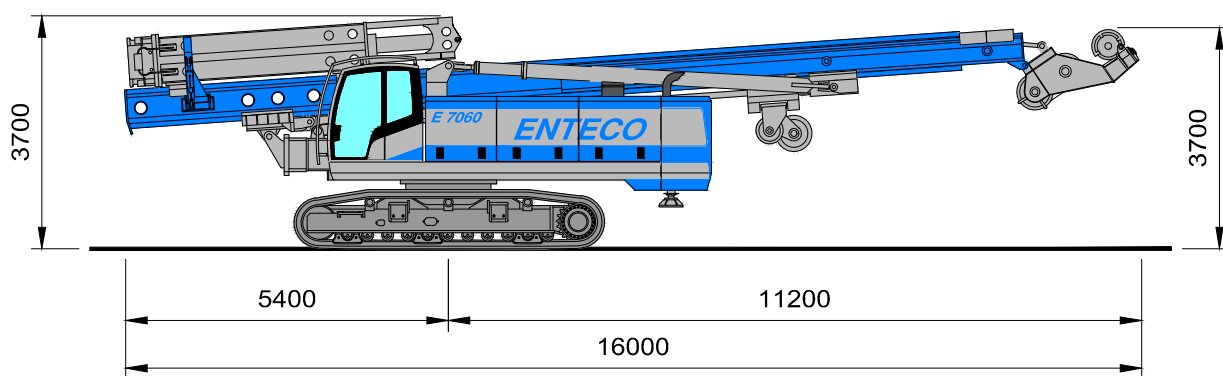
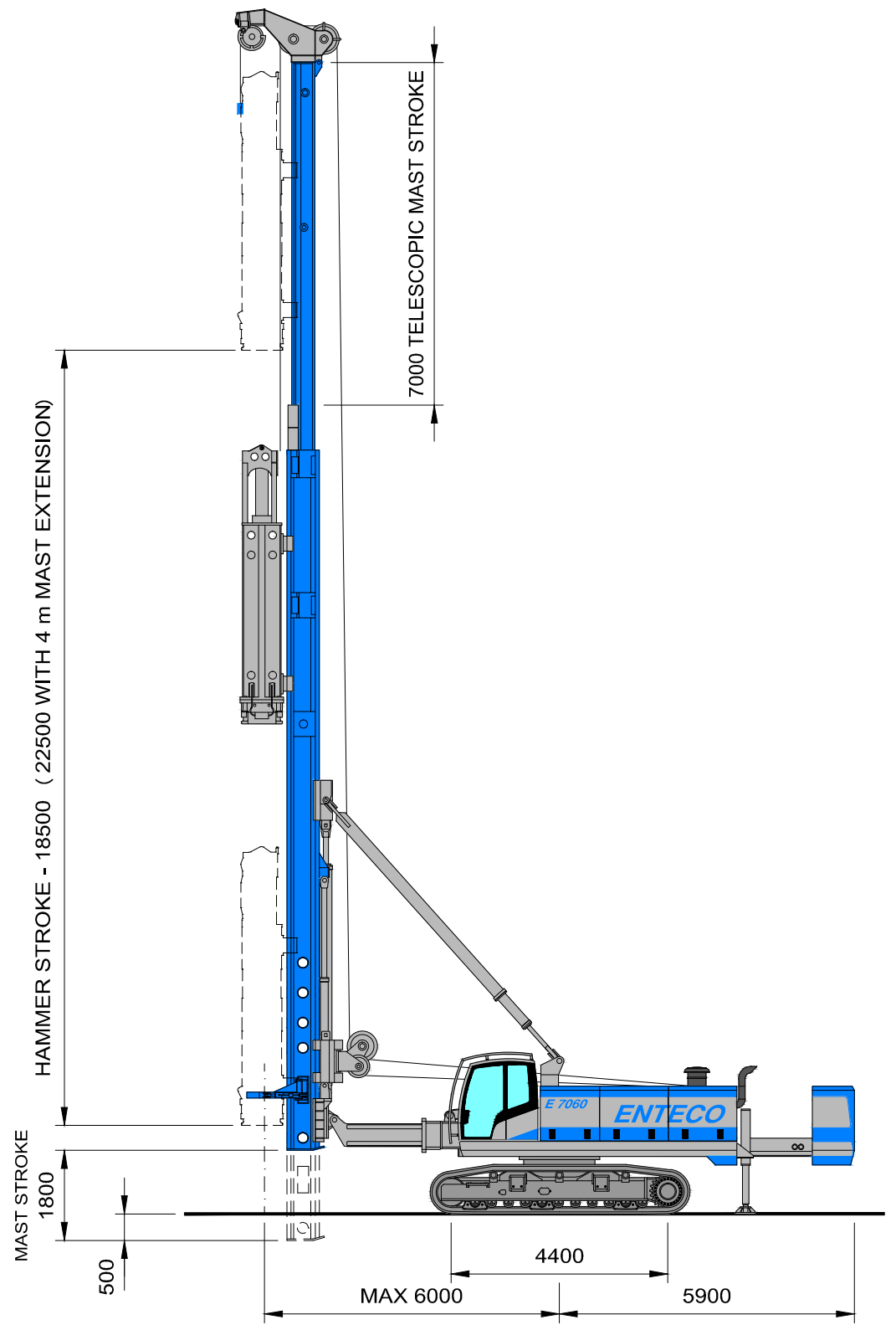
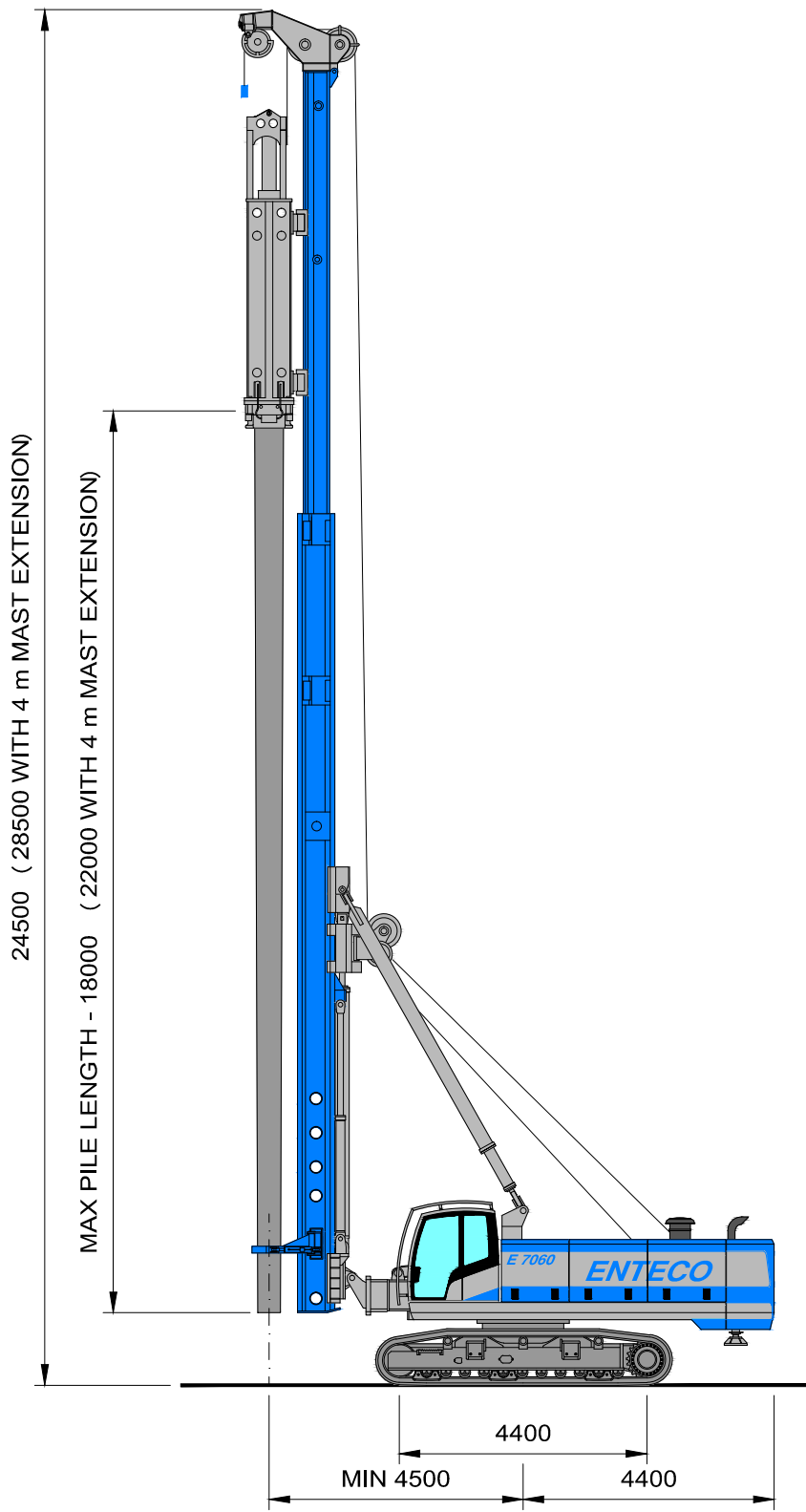
PD22

DRIVEN PILES KIT



ENTECO

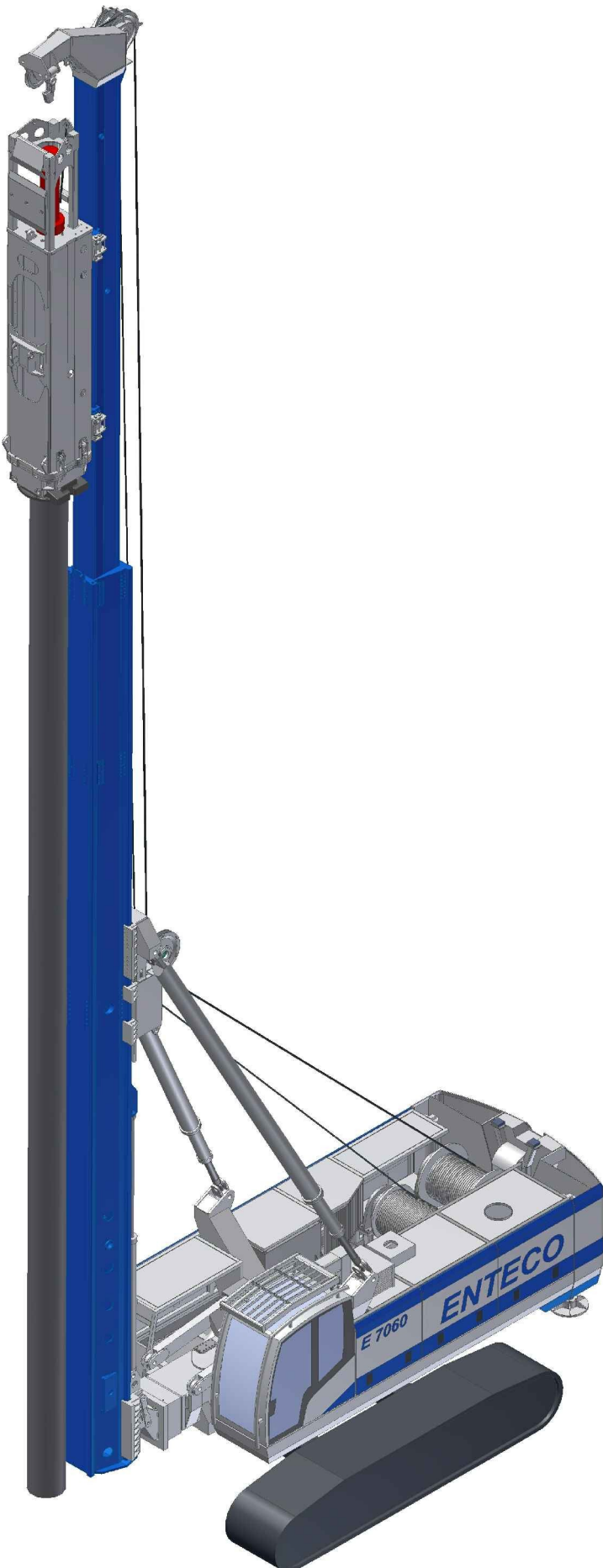
EXPERIENCE AND INNOVATION



E 7060

PD22

DRIVEN PILES KIT



E 7060 - PD22 DRIVEN PILES KIT

MACHINE WEIGHT

Operating weight without hammer	kg	65000
Operating weight with hammer	kg	80000

HAMMER AND PILE

Max hammer weight	kg	15000
Max pile length without mast extension	m	18
Max pile length with 4 m mast extension	m	22
Max pile weight	kg	12000

MAST

Standard mast length	mm	14000
Mast extension	mm	4000
Mast vertical travel	mm	1800
Telescopic element stroke	mm	7000
Mast forward stroke	mm	1500
Mast forward inclination		+25°
Mast backward inclination		-45°
Mast lateral inclination		±15°

COUNTERWEIGHT

Total weight	kg	8000
Counterweight stroke	mm	1500

E 7060 - BASE MACHINE

CRAWLERS

Overall width	mm	3000+4500
Track pads	mm	900
Tramming speed	km/h	2

DIESEL ENGINE

Model	CATERPILLAR	C9 ACERT	C13 ACERT
Rated power	HP/kW	350/261	440/328
Fuel tank capacity	litres		650

HAMMER WINCH

Max line-pull 1st layer	kN	240
Max speed	m/min	80
Rope diameter	mm	28
Free-fall device		installed

PILE WINCH

Max line-pull 1st layer	kN	120
Max speed	m/min	80
Rope diameter	mm	22
Free-fall device		installed



Via dell'Artigianato, 33 - Z.I. - 30020 Fossalta di Piave - VENEZIA - ITALIA
 Tel +39 0421 67.99.77 - Fax +39 0421 67.99.93 - e-mail: info@entecodrill.com - www.entecodrill.com