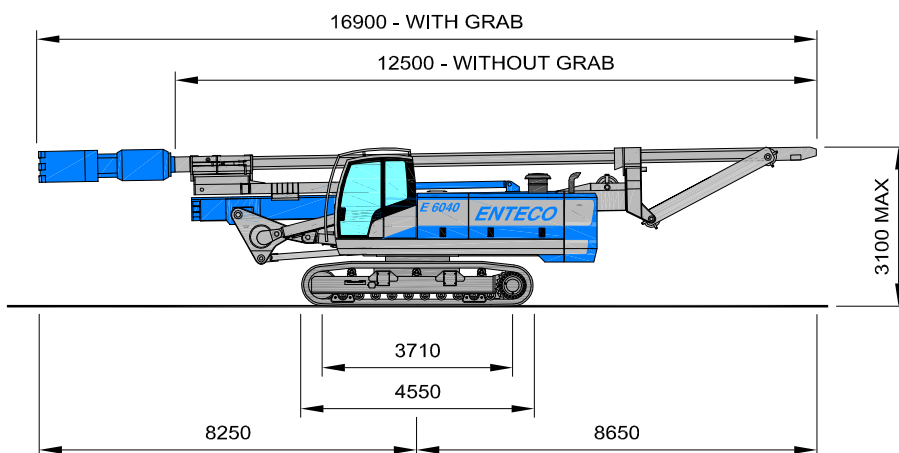
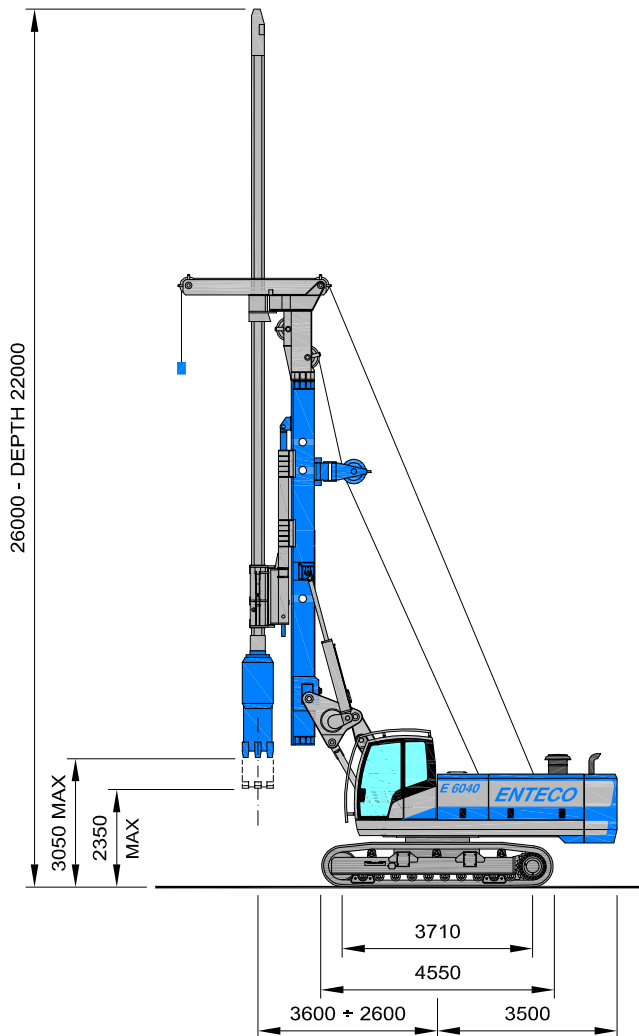


# E 6040

## HGM20

### DIAPHRAGM WALL KIT



#### E 6040 - HGM20 DIAPHRAGM WALL KIT

OPERATING WEIGHT	ton	up to 42
Max depth	m	22

#### HYDRAULIC GRAB

Model		ENTECO HG3
Width of trench	mm	300+1200
Length of trench	mm	2000+2500

#### MONOBLOC KELLY

Interlocking system		installed
Kelly rotation		±45°

#### CROWD SYSTEM CYLINDER

Stroke	mm	3800
Max. thrust	kN	140

#### E 6040 - BASE MACHINE

#### CRAWLERS

Overall width	mm	2500+3700
Track pads	mm	600
Crawler drive speed	km/h	2.1

#### DIESEL ENGINE

Model	CATERPILLAR	C7 ACERT
Rated power	HP/kW	250/187
Fuel tank capacity	litres	350

#### MAIN WINCH

Max line-pull 1st layer	kN	150
Free-fall device		installed

#### AUXILIARY WINCH

Max line-pull 1st layer	kN	50
Free-fall device		option

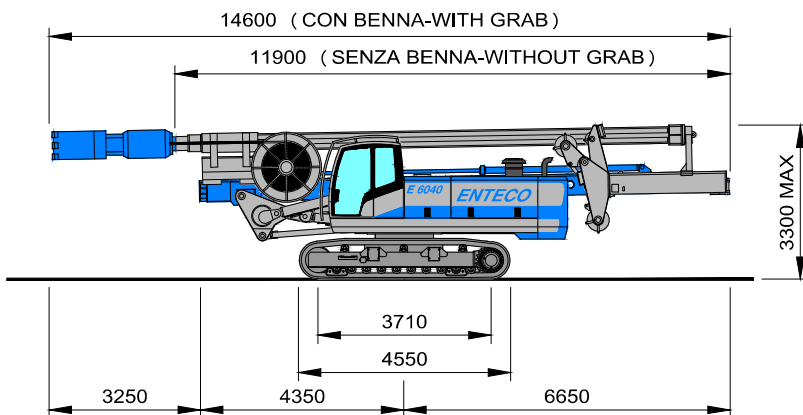
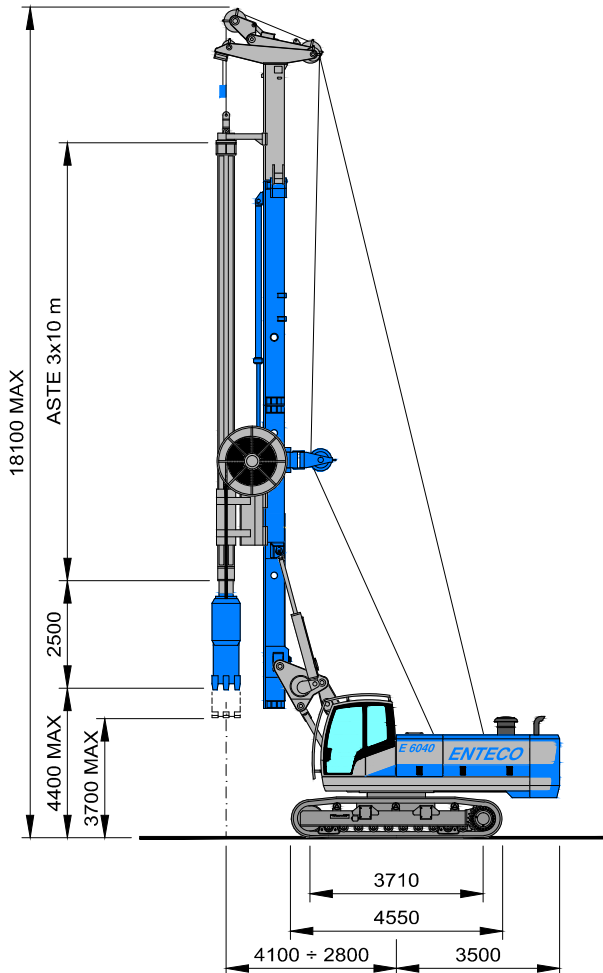


Via dell'Artigianato, 33 - Z.I. - 30020 Fossalta di Piave - VENEZIA - ITALIA  
Tel +39 0421 67.99.77 - Fax +39 0421 67.99.93 - e-mail: info@entecodrill.com - www.entecodrill.com

# E 6040

## HGT30

DIAPHRAGM WALL KIT



### E 6040 - HGT30 DIAPHRAGM WALL KIT

OPERATING WEIGHT	ton	up to 42
Max depth	m	30

### HYDRAULIC GRAB

Model		ENTECO HG3
Width of trench	mm	300+1200
Length of trench	mm	2000-2500

### TELESCOPIC KELLY

Type - elements/length		3x11
Max depth	m	30
Interlocking 1st element		option
Kelly rotation		±45°

### E 6040 - BASE MACHINE

### CRAWLERS

Overall width	mm	2500+3700
Track pads	mm	600
Crawler drive speed	km/h	2.1

### DIESEL ENGINE

Model	CATERPILLAR	C7 ACERT
Rated power	HP/kW	250/187
Fuel tank capacity	litres	350

### MAIN WINCH

Max line-pull 1st layer	kN	150
Free-fall device		installed

### AUXILIARY WINCH

Max line-pull 1st layer	kN	50
Free-fall device		option



Via dell'Artigianato, 33 - Z.I. - 30020 Fossalta di Piave - VENEZIA - ITALIA  
 Tel +39 0421 67.99.77 - Fax +39 0421 67.99.93 - e-mail: info@entecodrill.com - www.entecodrill.com

E6040 - HGT30 089Q-357 20120223