

ENTEKO E9080 CCFA

Innovative Clean CFA system

Enteco has developed a very innovative clean CFA drilling assembly, with a newly patented system for discharge and recovery of the excavated material.



ENTEKO high productivity hydraulic rig **E9080** is now available with a new drilling assembly named **CCFA (Clean Continuous Flight Auger)** engineered with a **revolutionary patented system for recovery and discharge of the excavated material.**

This new system has been designed to easily collect drilled materials in order to have a clean drilling area, reducing cleaning timing and increasing the general safety of the drilling area.

E9080 CCFA model is equipped with a powerful rotary table for CFA augers with concrete swivel and interlocking type auger extension.

The unit is provided with a rotating hydraulic auger cleaner designed with a spoil collector cap connected to a conveyer belt, hydraulically driven and provided with steel protection. The conveyer is installed on board of the rig.

A rear telescopic frame is applied to adjust the inclination and the lateral displacement of the conveyer.

Drilled material is transported by the conveyer belt to the rear side of rig, ready to be discharged for disposal on a truck.

E9080 CCFA is complete with a complete computerized system CAN-BUS based for the total control of the drilling operation and rig management.

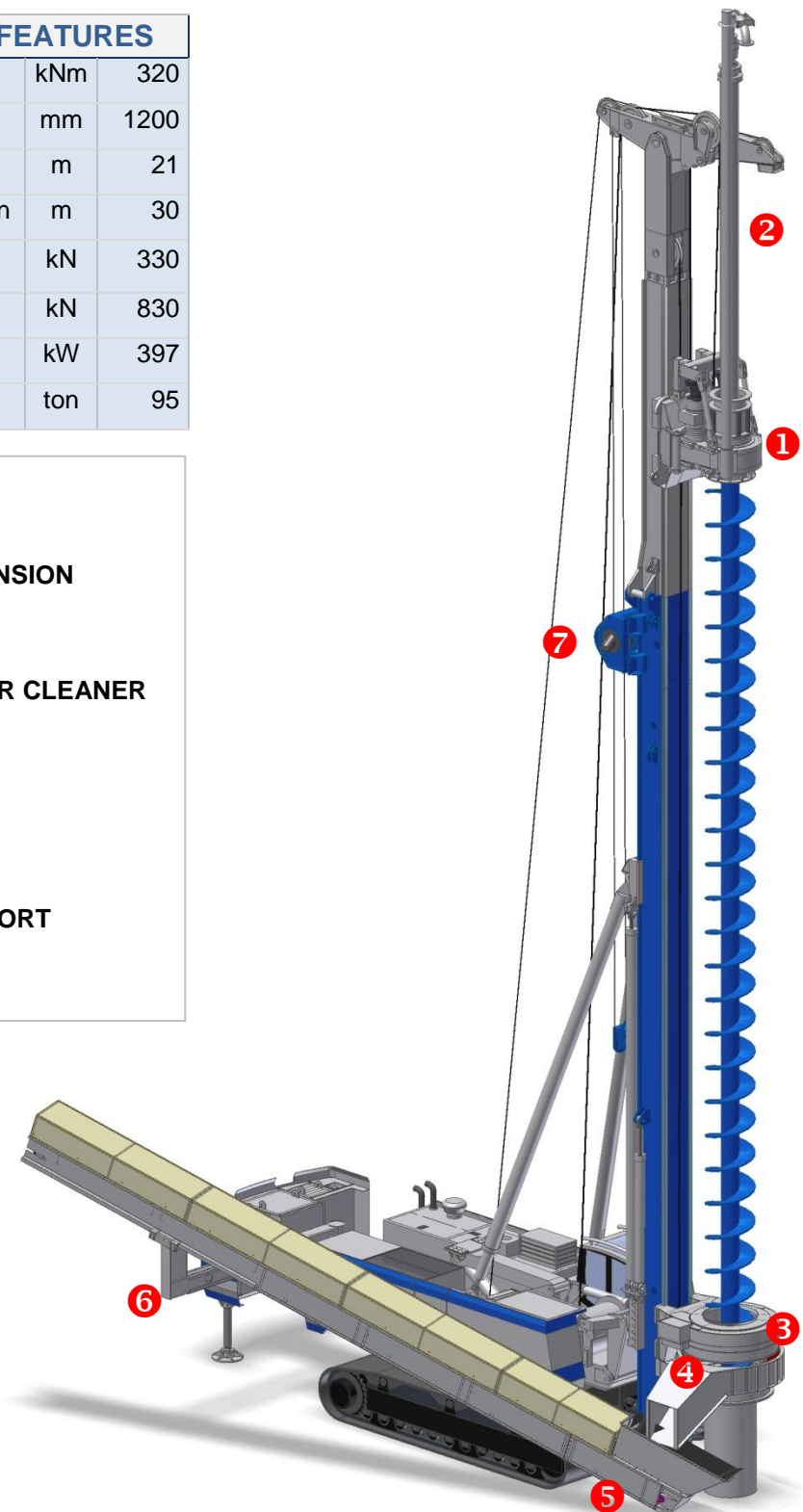
ENTEKO E9080 CCFA

COMPONENTS

ENTEKO 9080 CCFA - MAIN FEATURES

Rotary for CFA augers - torque	kNm	320
Augers max OD	mm	1200
Total drilling depth without extension	m	21
Total drilling depth CFA with extension	m	30
Crowd force	kN	330
Extraction force	kN	830
Engine power	kW	397
Operating weight	ton	95

- 1 ROTARY FOR AUGERS**
- 2 INTERLOCKING AUGER EXTENSION WITH CONCRETE SWIVEL**
- 3 ROTATING HYDRAULIC AUGER CLEANER**
- 4 MATERIAL COLLECTOR**
- 5 CONVEYER BELT**
- 6 TELESCOPIC CONVEYER SUPPORT**
- 7 CROWD WINCH**



ENTEKO E9080 CCFA



MAIN ADVANTAGES

- ✓ EASY DISPLACEMENT OF THE EXCAVATED MATERIAL
- ✓ HIGHER PRODUCTIVITY
- ✓ CLEAN DRILLING AREA
- ✓ REDUCED RISK OF CONCRETE CONTAMINATION
- ✓ SAFE DRILLING AREA

ENTECO E9080 CCFA

